



# Hunter & Coastal Region

# Bulletin

May 2007



E-mail: [hc.region@nsw.scouts.com.au](mailto:hc.region@nsw.scouts.com.au)  
Web Site: [www.scoutreach.com.au/info](http://www.scoutreach.com.au/info)

## The Regional Commissioner's Message



### Did You Qualify?

Our Retention Drive for 2006/7 is now over and we will soon be awarding the terrific plates to the Leaders from the successful Groups who have retained or increased their numbers from 31 October to 31 March. Some of the results are sensational but equally some are disappointing and quite frankly, unsatisfactory. We will be working with the relevant District Commissioners to identify the problems and provide support and infrastructure for these Groups to achieve better results in the future.

### Centenary Challenge

The 100 Challenge Cards have been now issued to all youth and adult Leaders. Considerable time and effort was put into the concept in particular by our Sectional Commissioners for which I publicly thank them. It is an all inclusive effort to focus on our Centenary and give everyone to participate in the Centenary Region Celebration in September. Can I encourage you to take on board the initiative seriously and embrace it by being an active participant? We want people to have these souvenir Certificates and Medallions. There is considerable cost involved but frankly in the spirit of Scouting and our Founder, BP we want people to roll up their sleeves and earn the challenges. It's not too difficult and all can qualify with some effort. Other Regions are also involved with these Medallions which is great.

### Sick Call

Our thoughts are with our Regional Chairman Jean Hattander, who is fighting serious illness. Her husband John has had also health issues but is recovering well. Of course John is our Deputy Chairman. We wish them both well for

a speedy recovery. Honorary Commissioner and Region Scout Heritage Manager, Allan Victor is also not 100%. We also wish him well in this difficult period of time.

### A "Pinnacle" Event

Details of our Region AGM and participation have now been sent to all Groups this year. It will be held at the historical location of the Obelisk in Newcastle. Location details, attendance etc are with Group invitation.

### Come Along this Year - Locally

Our Annual Region Visits start with visiting all nine Districts in July to September. Topics and speakers this time are:

Venturer Scouts – Robyne Plant  
Centenary Celebrations – Grahame Pricter  
Adults in Scouting – Viv Paulson  
School Promotions – Des Hocking

Details of venue and dates have been locked in with your respective DC since last September. Please ask your Group Leader for details or read page 6. It would be appreciated if you make the effort to attend. Previous years have been well attended. Let's keep up the good work.

Steve Fernie  
**Regional Commissioner**

Material in this publication is available for use by the press only with the express permission of the Editor. Scouting journals may reproduce from this publication without permission. An acknowledgement would be appreciated. "The Hunter & Coastal Region Bulletin" is published and printed by Tiffany Laws on behalf of Hunter & Coastal Region, Scout Association of Australia, New South Wales Branch 1/518 Hunter Street, Newcastle 2300.

The views expressed in this magazine are not necessarily the policies of the Region.

"Age is not important - unless you are a cheese."  
(Anonymous)

## Happy Hopping



### Workshop Weekend

Although I am writing this prior to the event, I would like to thank all the Leaders who attended the Workshop Weekend. Hope everyone had an enjoyable weekend.

### Bring a Friend Month

As I stated in the last Bulletin, this month is Bring a Friend Month for all our Mobs therefore I will repeat the information in case any of you may have missed it last month. May is Joey Scout Bring a Friend Month. To assist the new people, our Region's From the Pouch magazine has a couple of programs from Central Coast Lakes that have used in the past. All Mobs are asked to participate in the Bring a Friend Month. May has five weeks in the month unless you meet on a Monday then there are four weeks. My suggestion is to divide the number of Joey Scout members you have in your mob into the five weeks and give out that number per week eg: Mob with 15 Joey Scouts divided by five weeks = three, you would then give out three invitations a week. If you work it out that way you will not encounter the unknown elements and can adjust your activities to take in an extra three potential Joey Scouts per week. Your District Leaders have copies of the invitations or they are available from the Region's website. [www.scoutreach.com.au](http://www.scoutreach.com.au)

### Centenary Celebration Newcastle Foreshore 21<sup>st</sup> - 23<sup>rd</sup> September

Just a reminder to all Mobs that the payment for this event is due on 30<sup>th</sup> June. This is a great opportunity for all our Mobs to experience a large camp and event, so do not miss out by not being organised. Please ensure you get your applications in.

### From the Pouch Magazine

The magazine will be available from your District Leaders in the first week of term. It will also be available on our Regional website.

### Fly 100 Kites Challenge

As part of challenge 100 the Joey Scout Section are holding a "Fly 100 Kites Day" over the weekend 28th / 29th July. This event coincides with the opening of the World Jamboree. The event will be organised at Mob/ Group or District Level. One of the object of the day is a challenge to get at least 100 kites in the air at one time. The other Scout Sections, Parents, family and friends should be invited to help us achieve the goal. Your District Leader will have details on times and venues. If you do not have a District Leader and need assistants with organising the event please contact me. **Good Luck with your Challenge!**

### Joey Scout Joke of the day

Q When do Kangaroo's have birthdays  
A Every leap year

Marilyn Hocking  
**Regional Commissioner (Joey Scouts)**  
Phone: 4981-1828  
E-mail: [moani@bigpond.com](mailto:moani@bigpond.com)

## Venturing



Wow - How great was the Queen's Scout Presentation in April?

Sunny day lots of Family and Friends, with the backdrop, fantastic view of the Harbour at Government House.



We proudly witnessed nine Queen's Scouts from Hunter and Coastal being presented their Certificates from the Governor, Marie Bashir as well as a Scout from Hunter and Coastal receiving the Scout Medallion. Well done to all.

2008 - Australian Venture (Western Australia)  
4<sup>th</sup> - 15<sup>th</sup> January 2009  
[www.escape2venture.com](http://www.escape2venture.com)

A Venture is made up of two Sections. One is an Expedition for 5 days of your choosing and second being five days of fun, frolics, and friendship.

As an individual you choose all the activities that you wish to do in both stages. Catering is normally done for you, all you do is wash up your dish after your meals each day. Accommodation is your own tent so you can spread yourself out. There will be on site and off site activities over the time with bands etc in the Evenings

### Leadership Course

Date - 28<sup>th</sup> /29<sup>th</sup> July  
Location - TBA  
Time - 9.00am Saturday/ 3.00pm Sunday  
Cost - \$45 which includes meals and accommodation  
Closing Date - 6<sup>th</sup> July

Robyne Plant  
**Regional Commissioner (Venturer Scouts)**  
Phone: 4392-7812  
Email: [robyneplant@hotmail.com](mailto:robyneplant@hotmail.com)

## Queen's Scout



CONGRATULATIONS TO:

*Jade Adams – Maryland/Shortland*  
*Ksashar Poulton – 1<sup>st</sup> Forster/Tuncurry*  
*Taylee McIntrye – 1<sup>st</sup> Kanwal*  
*Jessica Marsh – 1<sup>st</sup> Bensville*

on being awarded their Queen's Scout Award.

## Rovers



Hi everyone my name is Alicia and I am the new Public Relations Officer for Rovers. From our AGM the new Region Executives are as follows and congratulations to all.

President	Ian Cosgrove
Vice President	Simon Blatchford
Treasurer	Oleksander Motyka
Secretary	Lyndsay Scheitel
Public Relations	Alicia Gleghorn
Activities Co-coordinator	Adam Wakeling
Venturer Liaison	Edward Bycroft
Training Officer	Rowan Kingdon

Things that have happened since the last report:

The Rovers went to Blackbutt for BP's Birthday Bash and while I was there I saw all the fun activities and was enjoyed by all but I must say Neil Gleghorn and Darryl Bonsing had their work cut out for them as they were running the canoe base. Job well done!

Also Rovers attended the Wonka Moot and sounds like that all had fun.

State Dragon Skin was held over Easter near Lithgow with many Rovers being busy around the VOC's. I hope they all had fun with no injuries and I hope the Venturers all enjoyed themselves as well.

PLEASE DONT FORGET!

Anzac Day 25/04/07  
Centenary of Scouting 21/22/23 September

Alicia Gleghorn  
**PR Officer - Region Rover Council**  
Email: devils\_daughter\_82@hotmail.com

## Drivetime



Hello to all my friends in Scouting.

The last month has been very active training wise with the team having run small but successful Cub Basic Level 3 and a Scout Basic Sectional level 3 Course. We tried to do things differently particularly on the Scout Course in that all cooking and catering was done in a camp kitchen. It was very hot on the Saturday and those of you that know my reputation when it comes to camping, it was extremely wet on the Sunday.

The amazing thing on my visits to Glenrock this last month is the number of groups camping or having very big Pack Holidays. The sad thing is that most of these groups were from Sydney. On the weekend of the Scout BL3 Course Blacktown District caught the train to Newcastle and hiked to Glenrock and did the opposite on the Sunday. What a positive image it would have created particularly as they hiked back it was pouring rain but they were happy.

If you have not done so, please have a look at Carol Cope's piece on page 8 of the February March edition of Scouting in NSW where she talks about VET and Training

In the same edition on page 5 were comments from Graham Bargwanna regarding a review of the five State Activity Centres and the thought came to mind, how well do we as leaders utilise our own Regional Campsites and from my observations not very well. BP said "Camp is the Scoutmasters great opportunity" and he is right. Being in camp not only offers leadership opportunities it offers adventure, fun, learning, friendships, memories..... Think back to when you were growing up often it was the simple things we enjoyed most. So my challenge to each of you in these cooler months is to get the OUT back in your Scouting and have fun doing the basic things such as camping and hiking.

Till next month, happy travels along the training track.

David Downie  
**Regional Commissioner (Adult Training & Development)**

Email: therealdoona@westnet.com.au

## Wood Badge



CONGRATULATIONS TO:

*Judi Debenham – 1<sup>st</sup> Kanwal*

on being awarded her Wood Badge.

## **International & Member Support**

### **Centenary of Scouting**

In any organisation one of the most important things is COMMUNICATION. More importantly is the fact that it has to be TWO WAY. Some two months ago the first package was sent to Groups regarding the Centenary of Scouting Event and the request for a Group Contact Person for future information. So far the response has been nothing short of LOUSY. Please get the name of your contact person to Tiffany ASAP. Just a reminder for Day Visitors – they are required to fill in the same form as those who are camping the whole weekend and give it, together with \$10, to their Leader. Don't forget if you have any questions please contact the Region Office or me. How is the "Challenge 100" Programme going? Don't forget it is not only for the young people. Everyone, including Commissioners and District Leaders should have received their Activity Card and be working towards their 100 points and the Centenary Certificate. Part of the Region visits to Districts this year will include a section on the Centenary of Scouting and associated events.

### **Members Support**

Well we have some good news regarding our Regional Chairman Jean Hattander and her husband John. Jean has had some great positive results of her recent treatment and John is progressing well with his Stroke therapy. John is having "a holiday" at the moment at Cessnock at Calvary Care, so if you are having a day out at the vineyards, take the time to call in and see him. He would be delighted to have a visit.

On the 13<sup>th</sup> March Scouting lost one of its valuable members with the passing of Phil Pritchard. Many will remember Phil as the "Man who ran the Scout Shop" or as the Group Leader of Charlestown. It was a fitting tribute to see so many Scouting and Community people attending his funeral. Fay, his wife, has appreciated all our thoughts and prayers at this time. The good news is that she will continue to operate the Scout Shop from her home in accordance with Phil's wishes. So get your orders in or take your money with you.

There have been a number of new Leader Support Guides issued including LSG 30 which deals with "LPG AND YOUR RESPONSIBILITY AS A LEADER" All leaders should read this guide as it involves us all. Just a reminder to all leaders that it is a requirement, legally and in accordance with Scout Association Policy that all Accidents/ Incidents are reported, regardless of the severity. The appropriate form to be used is FORM M6 (01/06) The form should be completed by the Leader in Charge of the Activity, and this includes section meetings, and forwarded to Region Office together with a copy of the "Permission to attend and activity form" if one has been required.

### **International:**

Anyone travelling overseas can obtain an "International Letter of Introduction by filling in the appropriate application form T2 (01/06)

Any Leaders taking members interstate should also fill Form T1 (01/06), Application to Camp or Travel Interstate or Overseas. If you don't you may have Insurance Problems.

Next time will be information for Venturers on the Student Exchange Programme.

Grahame Pricter

**Regional Commissioner (International and Members Support)**

## **Bulga Campsite Updated Contact Phone Details**

Rae Phelps (0439- 412-926)

## **Upper Hunter Tree Jamboree**

Over a hundred people turn up for the Saturday and planted over 7000 trees around Lake Liddell in the Upper Hunter, said Cameron Baxter the local DC.

We had 55 youth members camp from Joey's Cubs and Scouts, not to mention a couple of Venturers.

The Sunday saw them go out and plant some more trees before packing up and heading home.

Groups attended included Murrurundi, Scone, Denman, Muswellbrook, Singleton, Telarah, Activities Fellowship and Kotara.

A job well done by our youth and many thanks to those who helped to green the valley!

## **Scout Signs**

**Now reduced to \$25 each!**

Available for collection from the Region Office NOW!

They don't have to be used just at Schools. Put them on your Hall, at local Shopping Centres, at local Community Halls, on the back of a local bus or anywhere else that people will see them.

It only takes 4 screws to mount.

Yet another easy way to be visible in our Centenary Year!

**Be Seen!**

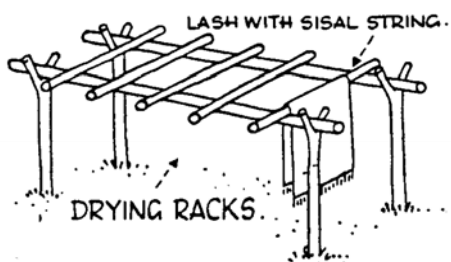
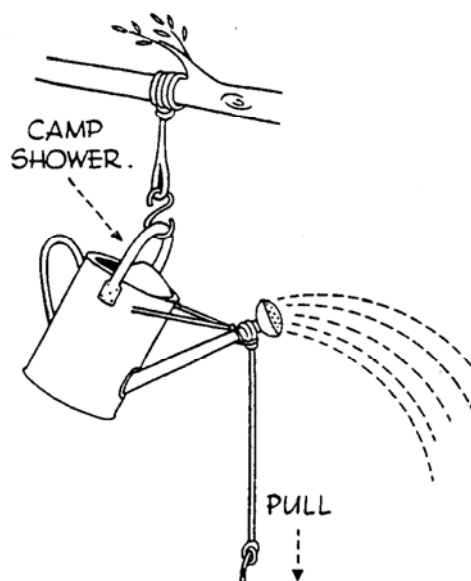
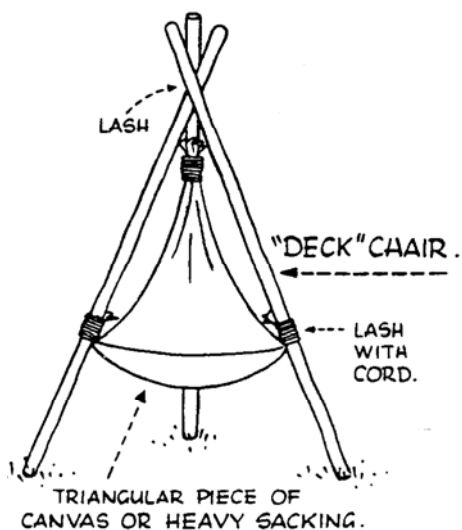
# Smoke Signals



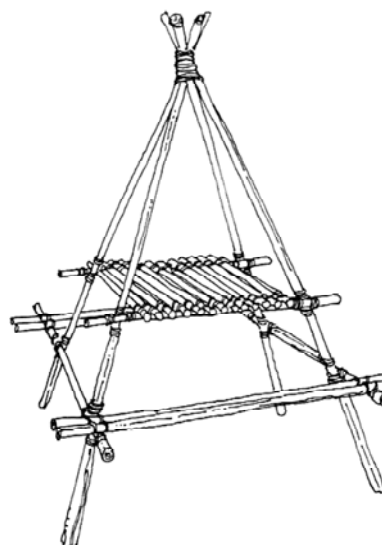
## Scouting in 2007

Have a look at the Regional Website for all the Activities and Camps your Group can celebrate the Centenary of Scouting. <http://www.scoutreach.com.au/2007/Dates> to remember:-

## Camp Gadgets to make

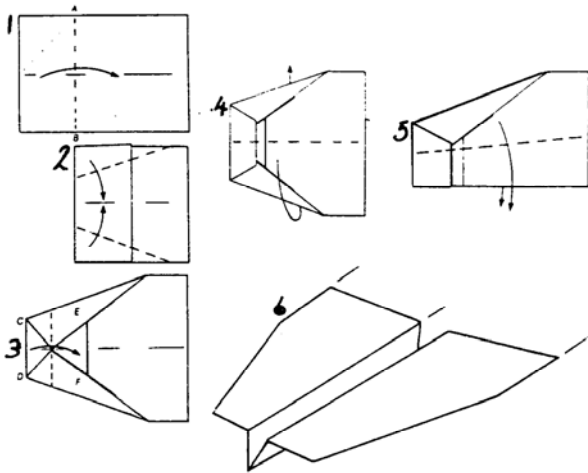


Camp Table with Seats



## Plane to Make

### Stingray Glider



## Cooking

### Damper Recipe

6 Level cups of S.R. Flour  
¼ Cup of Margarine  
2 ½ Cup of Milk

In a large bowl place flour and rub in margarine into the flour (look like breadcrumbs)  
Then add milk and mix to a soft dough  
Then tip on a floured pastry sheet.  
Then mould into a Damper shape.  
Spread 2 cups of plain flour into bottom of camp oven.  
Put Damper into camp oven, and then plain on top of Damper  
Takes approx 45-50mins - should sound hollow if you tap it?

### Scone Recipe

6 Level cups of S.R. Flour  
¼ Cup of Margarine  
2 ½ Cup of Milk

In a large bowl place flour and rub in margarine into the flour (look like breadcrumbs)  
Then add milk and mix to a soft dough  
Then tip on a floured pastry sheet.  
Then flatten it out to about 2cm thick.  
Then cut into shapes.  
Place on Baking Tray, place in camp oven  
Takes approx, 10-15mins

### Camp Biscuits

2 Pks of Cake mix (Woolworths brand 55cents a packet)  
125gms of Butter  
Choc Chips  
4 tablespoons of Milk

In a large bowl place cake-mix and rub in margarine into the cake-mix (look like breadcrumbs)  
Then add milk and mix well.  
Roll into small ball.  
Place on baking tray, and flatten with fork.  
Cook at 180°C for approx. 15 mins in camp oven.

### Steam Fruit Rolls

2 cups of S.R. Flour  
½ cup of Sugar  
1 cup Mixed Fruit  
1 Teaspoon bi-carb soda  
1 Teaspoon mixed spice  
1 cup of Milk  
1 Tablespoon of Golden Syrup  
1 Tablespoon of Butter or Margarine  
1 Egg

Put flour, sugar, fruit, mixed spice, and bi-carb soda in to bowl and mix  
Then heat milk, butter and golden syrup in saucepan (warm not hot)  
Add liquids and egg to flour mix, and mix well  
Put into 4 well grease tins, and steam in saucepan with saucepan lid only  
For 45mins, great for camp

Greg Allen

**Regional Commissioner (Resources)**

Phone: 0407 361-080

E-mail: resources@scoutreach.com.au

## Region Visits to District 2007

This is your personal invitation to:

### Central Coast Lakes

19<sup>th</sup> July – 7.30 pm – 1<sup>st</sup> Tuggerah Lakes Hall

### Lake Macquarie

6<sup>th</sup> August – 7.30 pm – 1<sup>st</sup> Warners Bay Hall

### Port Stephens

15<sup>th</sup> August – 7.00 pm – 1<sup>st</sup> Raymond Terrace Hall

### Gosford

22<sup>nd</sup> August – 7.30 pm – Gosford District Hall

### Lower Hunter

27<sup>th</sup> August 7.30 pm – Jubilee Street Hall, East Maitland

### Upper Hunter

31<sup>st</sup> August – 7.00 pm – Muswellbrook Hall

### Newcastle

4<sup>th</sup> September – 7.00 pm – Lambton/Waratah Hall

### Watagan

6<sup>th</sup> September – 7.30 pm – 1<sup>st</sup> Toronto Hall

### Manning

14<sup>th</sup> September – 7.00 pm – 1<sup>st</sup> Bulahdelah Hall

“We don’t see things as they are, we see them as we are.”  
(Anais Nin)





Formation	31/10/2006	2/04/2007	% Gain / Loss
1st Berkeley Vale Group	58	53	-9%
1st Budgewoi Group	40	43	8%
1st Erina Heights Group	36	33	-8%
1st Gwandalan Group	56	52	-7%
1st Kanwal Group	79	61	-23%
1st Mannering Park Group	66	66	0%
1st Terrigal Group	51	42	-18%
1st Tuggerah Lakes Group	40	32	-20%
1st Tumbi Group	66	51	-23%
1st Wyong Group	25	13	-48%
Toukley/Haven Group	35	29	-17%
1st Avoca Beach Group	36	41	14%
1st Bensville Group	41	30	-27%
1st East Gosford Group	59	52	-12%
1st Gosford Group	27	30	11%
1st Kariong Group	47	52	11%
1st Narara Group	37	32	-14%
1st Ourimbah Group	43	47	9%
1st Point Clare Group	39	29	-26%
1st Woy Woy Group	37	36	-3%
1st Wyoming Group	66	57	-14%
Peats Ridge Group	19	20	5%
Broken Bay Group	60	68	13%
1st Belmont North Group	65	60	-8%
1st Belmont Group	27	29	7%
1st Garden Suburb Group	10	11	10%
1st Swansea Group	35	21	-40%
1st Valentine Group	50	39	-22%
1st Warners Bay Group	133	137	3%
Cardiff Group	52	52	0%
Charlestown Group	53	45	-15%
1st Beresfield Group	7	8	14%
1st Branxton-Greta Group	43	33	-23%
1st Paterson/Bolwarra Group	58	59	2%
1st Telarah Group	28	21	-25%
2nd Thornton Group	43	39	-9%

Cessnock City Group	59	64	8%
Dungog Group	17	13	-24%
East Maitland Group	46	52	13%
Kurri Kurri Group	50	38	-24%
Singleton Group	65	60	-8%
Lower Hunter Unit	15	18	20%
1st Bulahdelah Group	10	9	-10%
1st Forster-Tuncurry Group	5	3	-40%
1st Wingham Group	52	47	-10%
Taree Group	7	18	157%
Wallamba Group	3	2	-33%
1st Cooks Hill Group	27	23	-15%
1st Mayfield Group	16	18	13%
1st Merewether Group	36	34	-6%
1st New Lambton Group	32	30	-6%
1st South Wallsend Group	48	52	8%
1st Wallsend Group	24	24	0%
2nd Newcastle Group	4	1	-75%
3rd Mayfield Group	40	26	-35%
Kotara Group	43	48	12%
Lambton-Waratah Group	30	29	-3%
Maryland-Shortland Group	69	75	9%
1st Anna Bay Group	48	49	2%
1st Clarence Town Group	29	22	-24%
1st Medowie Group	77	76	-1%
1st Nelson Bay Group	46	47	2%
1st Raymond Terrace Group	39	45	15%
1st Stroud Group	27	25	-7%
1st Tilligerry Group	18	16	-11%
Seaham Group	38	44	16%
1st Denman Group	16	9	-44%
1st Murrurundi Group	29	24	-17%
1st Scone Group	38	31	-18%
2nd Muswellbrook Group	68	56	-18%
Merriwa Group	1	1	
1st Byattunga Group	73	73	0%
1st Edgeworth Group	32	30	-6%
1st Mount Sugarloaf Group	1	1	
1st Rathmines Group	39	37	-5%
1st Teralba Group	37	31	-16%
1st Toronto Group	30	31	3%
1st Wangi Group	52	49	-6%

Key to Colours Used Above:

Black – Do not qualify for awards.

Red – Qualify for small size plates.

Blue – Qualify for large size plates.

Note that in some cases discretion has been exercised by the Regional Commissioner after consultation with the respective District Commissioner.

Rover Crews have been regarded as separate entities in all cases and removed from this data.

## Appointments List

30 March 2007

### APPOINTMENTS

MOLLOY, Kirsten - RC(R) - Region  
BELL, David - AL - Broken Bay  
MCPHERSON, Stewart - AL - Broken Bay  
MAHER, Miranda - CSL - 1st Valentine  
SIMPSON, Moira - ACSL - 1st East Gosford  
ROBINSON, David - ASL - Dungog  
ANDERSON, Deborah - AVSL - 1st Wangi

### TRANSFERS

BURROWS, Leanne  
Fr DC Lower Hunter District  
To ADC Lower Hunter District

COLES, Vicki  
Fr SL 2nd Belmont  
To ASL 1st South Wallsend

HUDSON, Carl  
Fr ASL 1st Teralba  
To SL 1st Teralba

PALMER, Patricia  
Fr GL 2nd Thornton  
To DC Lower Hunter District

THOMAS, Ann  
Fr AL 1st Byattunga  
To ASL 1st Byattunga

### RESIGNATIONS

DELL, Michelle - ACSL - 1st Avoca Beach  
GAUCI, Peter - ASL - 1st Swansea  
HOGGART, Steven - ACSL - 1st Anna Bay  
HUTCHISON, Simon - GL - 2nd Belmont  
MCLEAN, Paul - AL - 1st Toronto  
SIMPSON, Damien - ACSL - 3rd Mayfield  
WILLIAMS, Nicole - ASL - 1st Swansea

### TRAINEE LEADERS NOT PROCEEDING

BARNABY, Steven - Trainee AL - 1st Tumbi  
BROADHURST-TYNAN, Sean - Trainee Ldr (CS) - 1st Valentine  
DAWSON, Melissa - Trainee Ldr (JS) - 1st Scone  
EDWARDS, Michael - Trainee Ldr (CS) - 1st Valentine  
ENGLEHARDT, David - Trainee Ldr (S) - 1st Warners Bay  
MINORS, Brad - Trainee AL - 1st Swansea  
O'BRIEN, Briget - Trainee AL - Broken Bay  
ROBERTSON, Keith - Trainee AL - 2nd Thornton

### CALLED TO HIGHER SERVICE - 13/03/2007

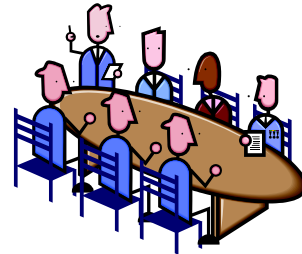
PRITCHARD, Phillip - District Adviser - Lake Macquarie

### RESIGNED OR DID NOT PROCEED IN ERROR

GRINDROD, Gordon - ACSL - 1st Point Clare  
MOONEY, Katy - Member - H&C Activities Fellowship  
PLANT, Adam - Member - H&C Activities Fellowship  
PLANT, Melanie - Member - H&C Activities Fellowship

It's back bigger and better than ever!

## Region Trivia Night Friday 29<sup>th</sup> June Cardiff RSL Club



Stay tuned for more details!

## Want to Pay by using “Plastic”?

H&C Region Office now accepts payment by Credit Card or Debit Card.

However:

- \* We accept Mastercard, Visa card or EFTPOS only.
- \* \$10 (minimum transaction)
- \* Sorry, no Cash Out or Cash Advances.
- \* We reserve the right to refuse to accept a Card without stating the reason for the refusal.
- \* (For Credit Card use only) payment may be made personally, by mail, by fax, by email transmission.

Sorry no telephone authorizations accepted.

## WHERE DO YOU GET IT?

### Badges, Books & Uniforms

Phil's Trophies

3 Teak Street, Gateshead 2290

Phone: 4943-0631

E-mail: [philst@bigpond.net.au](mailto:philst@bigpond.net.au)

Web Address: [www.philstrophies.net](http://www.philstrophies.net)



# Regional Calendar

## May

(Apply to Region Office unless otherwise shown)

### Training

Basic Leadership 1  
26-27 May  
Closes 4-May  
Costs \$105

### Activities

Caving Intermediate - 0717  
5/6 May  
Closes 13-Apr  
Costs \$20

White Water Grade 2 - 0718  
12/13 May  
Closes 20-Apr  
Costs \$15

Bushwalking Practical - 0719  
19/20 May  
Closes 27-Apr  
Costs \$15

Basic Rock Skills & Abseiling Intermediate - 0720  
26/27 May  
Closes 4-May  
Costs \$20

Alpine Walking Preparation - 0721  
27-May  
Closes 4-May  
Costs \$10

## June

(Apply to Region Office unless otherwise shown)

### Training

Basic Leadership 2  
22-24 Jun  
Closes 1-Jun  
Costs \$105

### Activities

Flat Water (Level 3) – 0722  
2/3 June  
Closes 11-May  
Costs \$15

Caving Advanced – 0723  
9/10/11 June  
Closes 18-May  
Costs \$20

Alpine Walking Practical - 0724  
23/24 June  
Closes 1-Jun  
Costs \$20

## July

### Training

Basic Leadership 1  
28-29 Jul  
Closes 6-Jul  
Costs \$105

### Activities

Senior First Aid - 0750  
21-Jul  
Closes 29-Jun  
Costs \$35

Caving Introductory - 0725  
22-Jul  
Closes 29-Jun  
Costs \$10

Cross Country Skiing - 0726  
21/22 Jul  
Closes 29-Jun  
Costs \$20

Rockclimbing Intermediate - 0727  
28/29 Jul  
Closes 6-Jul  
Costs \$20

## August

### Training

Joey Scout Basic Leadership 3  
3-5 Aug  
Closes 13-Jul  
Costs \$105

Cub Scout Basic Leadership 3  
3-5 Aug  
Closes 13-Jul  
Costs \$105

## **For Sale - Book**

### **“Scouting and Glenrock Lagoon” by Barry Ableson**

Covers the period from the earliest days (1909) up until 2005  
42 pages with many photos

**\$18**

or \$20 posted anywhere Australia wide.

## **Available Now!**

Contact Region Office.



Hunter & Coastal Region

# Bulletin

May 2007



Return Address  
PO Box 854  
THE JUNCTION 2291

**PRINT  
POST**  
PP 241146/00037

Postage  
Paid  
Australia